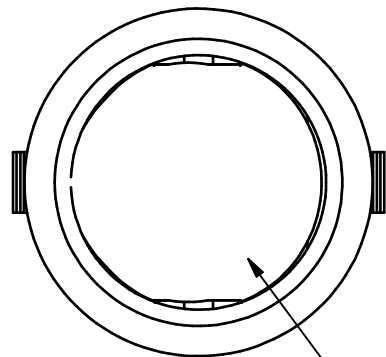
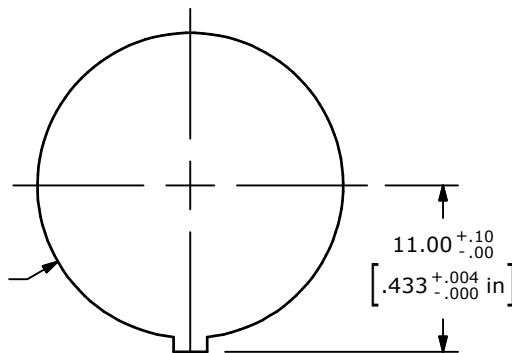


SWITCH FUNCTION	
POS. 1	POS. 3
ON	ON
2-1	2-3



$\varnothing 20.20^{+0.10}_{-.00}$
[.795^{+0.004}_{-.000} in]

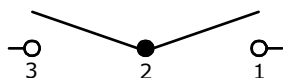
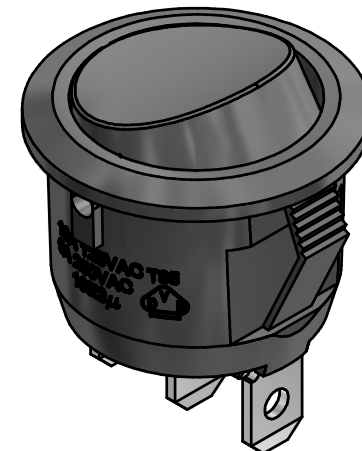


11.00^{+0.10}_{-.00}
[.433^{+0.004}_{-.000} in]

2.20^{+0.10}_{-.00}
[.087^{+0.004}_{-.000} in]

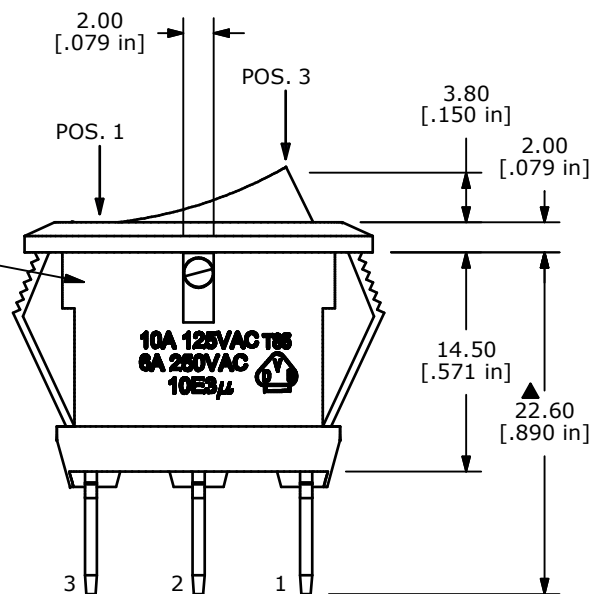
▲ ACTUATOR COLOR:
BLACK

RECOMMENDED PANEL MOUNTING



CIRCUIT: SPDT

▲ HOUSING COLOR:
BLACK



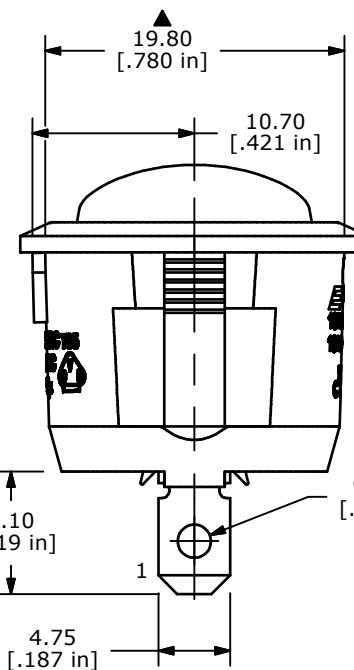
2.00
[.079 in]

3.80
[.150 in]

2.00
[.079 in]

14.50
[.571 in]

22.60
[.890 in]



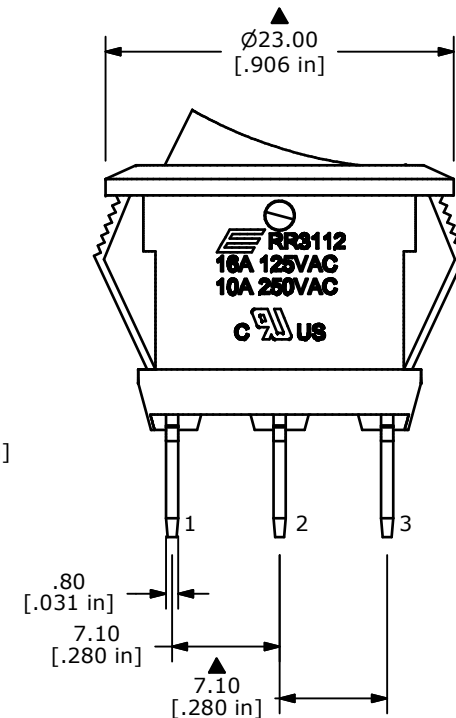
19.80
[.780 in]

10.70
[.421 in]

8.10
[.319 in]

$\varnothing 2.20$
[.087 in]

4.75
[.187 in]



$\varnothing 23.00$
[.906 in]

.80
[.031 in]

7.10
[.280 in]

7.10
[.280 in]

- NOTES:
1. ALL DIMENSIONS IN MM [INCH]
 2. GENERAL TOLERANCE: x.x=±0.4
x.xx=±0.25
 3. TERM. NOS. FOR REF. ONLY
 4. RATING: 10A 250VAC
16A 125VAC
 5. CONTACT RESISTANCE: 50mOHM MAX.
 6. INSULATION RESISTANCE: DC 500V 100M OHM MIN.
 7. DIELECTRIC STRENGTH: AC 1500V 1 MIN
 8. OPERATING TEMPERATURE: 0°C to 65°C
 9. ▲ DENOTE CRITICAL PARAMETER
 10. 2002/95/EC (ROHS) COMPLIANT.



TITLE RR3112CBLKBLKNEF0

A	21257	RELEASE FOR PRODUCTION	10/3/13	EBP
REV	PCR NO	DESCRIPTION	DATE	BY

THE INFORMATION CONTAINED IN THIS DOCUMENT IS PROPRIETARY TO E-SWITCH AND IS NOT TO BE COPIED OR TRANSFERRED

SCALE	DATE	DR	DWG	REV
	10/3/2013	EBP	F130514	A